

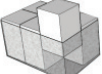



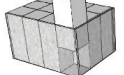










KEFIRKO JARS

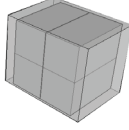
Name	Picture	Dimensions in milimeters (mm) (Lengh / Width / Height)	Weight in grams (g)
KEFIR FERMENTER 900 ml		118 x 118 x 194	650
KEFIR FERMENTER 1,4 l		118 x 118 x 275	920
2ND FERMENTATION JAR 900 ml		118 x 118 x 194	550
2ND FERMENTATION JAR 1,4 l		118 x 118 x 275	800
CHEESE MAKER 900 ml		118 x 118 x 194	685
CHEESE MAKER 1,4 l		118 x 118 x 275	930
VEGGIE FERMENTER 900 ml		118 x 118 x 194	800
VEGGIE FERMENTER 1,4 l		118 x 118 x 275	1070
SOURDOUGH FERMENTER 900 ml		118 x 118 x 194	705
KOMBUCHA FERMENTER 7l		195 x 195 x 360	2230
KOMBUCHA FERMENTER 7l WITH STAND AND SPIGOT		195 x 195 x 360	2920


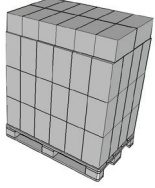
SHIPPING PACKAGING				
Name	Picture	Dimensions in millimeters (mm) (Length / Width / Height)	Shipping Packaging Weight in grams (g)	
No.1	RTS S (1 x 900 ml product)		130 x 138 x 215	100
No.2	RTS L (1 x 1,4l product)		130 x 138 x 295	120
No.3	6 PACK S (6 x 900 ml products)		375 x 260 x 215	400
No.4	6 PACK L (6 x 1,4 l products)		375 x 260 x 295	480
No.5	24 PACK S (24 x 900 ml products)		490 x 380 x 415	930
No.6	24 PACK L (24 x 1,4l products)		490 x 380 x 570	1100
No.7	12 PACK L (24 x 1,4l products)		490 x 380 x 300	770



PALLET SHIPMENTS				
Name	Shipping Method	Dimensions in millimeters (mm) (Length / Width / Height)	Approximate weight in kilograms (kg)	
No.8	432 pieces - 900 ml products (18 x shipping packaging No. 5)		1200 x 1000 x 1400	350 kg (+/- 50 kg)
No.9	288 pieces - 1,4 l products (12 x shipping packaging No. 6) (24 x shipping packaging No. 7)* <i>*In case of bulk box weight restrictions!</i>		1200 x 1000 x 1400	300 kg (+/- 30 kg)
No.10	288 pieces - 900 ml products (12 x shipping packaging No. 5)		1200 x 800 x 1400	240 kg (+/- 40 kg)
No.11	192 pieces - 1,4 l products (8 x shipping packaging No. 6) (16 x shipping packaging No. 7)* <i>*In case of bulk box weight restrictions!</i>		1200 x 800 x 1400	190 kg (+/- 25 kg)
No.12	576 pieces - 900 ml products (24 x shipping packaging No. 5)		1200 x 1000 x 1900	450 kg (+/- 60 kg)
No.13	432 pieces - 1,4 l products (18 x shipping packaging No. 6) (36 x shipping packaging No. 7)* <i>*In case of bulk box weight restrictions!</i>		1200 x 1000 x 2000	450 kg (+/- 60 kg)
No.14	384 pieces - 900 ml products (16 x shipping packaging No. 5)		1200 x 800 x 1900	310 kg (+/- 40 kg)
No.15	288 pieces - 1,4 l products (12 x shipping packaging No. 6) (24 x shipping packaging No. 7)* <i>*In case of bulk box weight restrictions!</i>		1200 x 800 x 2000	280 kg (+/- 30 kg)

PALLETS	
Type	Weight in kilograms (kg)
EURO PALLET 120 x 80 cm	25
PALLET 120 x 80 cm	13
PALLET 120 x 100 cm	15

Kombucha Fermenter 7l

No. 1	4x KOMBUCHA FERMENTER in bulk box No.5
	
Package dims. (Lenght/Width/Height):	485/380/415 (mm)
Package weight	
KOMBUCHA FERM. - SPIGOT & STAND ✓	10 kg (net) - 11 kg (gross)
KOMBUCHA FERM. - SPIGOT & STAND x	9 kg (net) - 9,9 kg (gross)

No. 2	84x KOMBUCHA FERMENTER
	Optimally filled pallet for air transport.
	
Pallet dims. (Lenght/Width/Height):	1200/800/1480 (mm)
Pallet Weight	
KOMBUCHA FERM. - SPIGOT & STAND ✓	210 kg (net) - 236 kg (gross)
KOMBUCHA FERM. - SPIGOT & STAND x	189 kg (net) - 215 kg (gross)

No. 3	108x KOMBUCHA FERMENTER
	Optimally filled pallet for road / sea transport.
	
Pallet dims. (Lenght/Width/Height):	1200/800/1850 (mm)
Pallet Weight	
KOMBUCHA FERM. - SPIGOT & STAND ✓	270 kg (net) - 296 kg (gross)
KOMBUCHA FERM. - SPIGOT & STAND x	242 kg (net) - 268 kg (gross)